

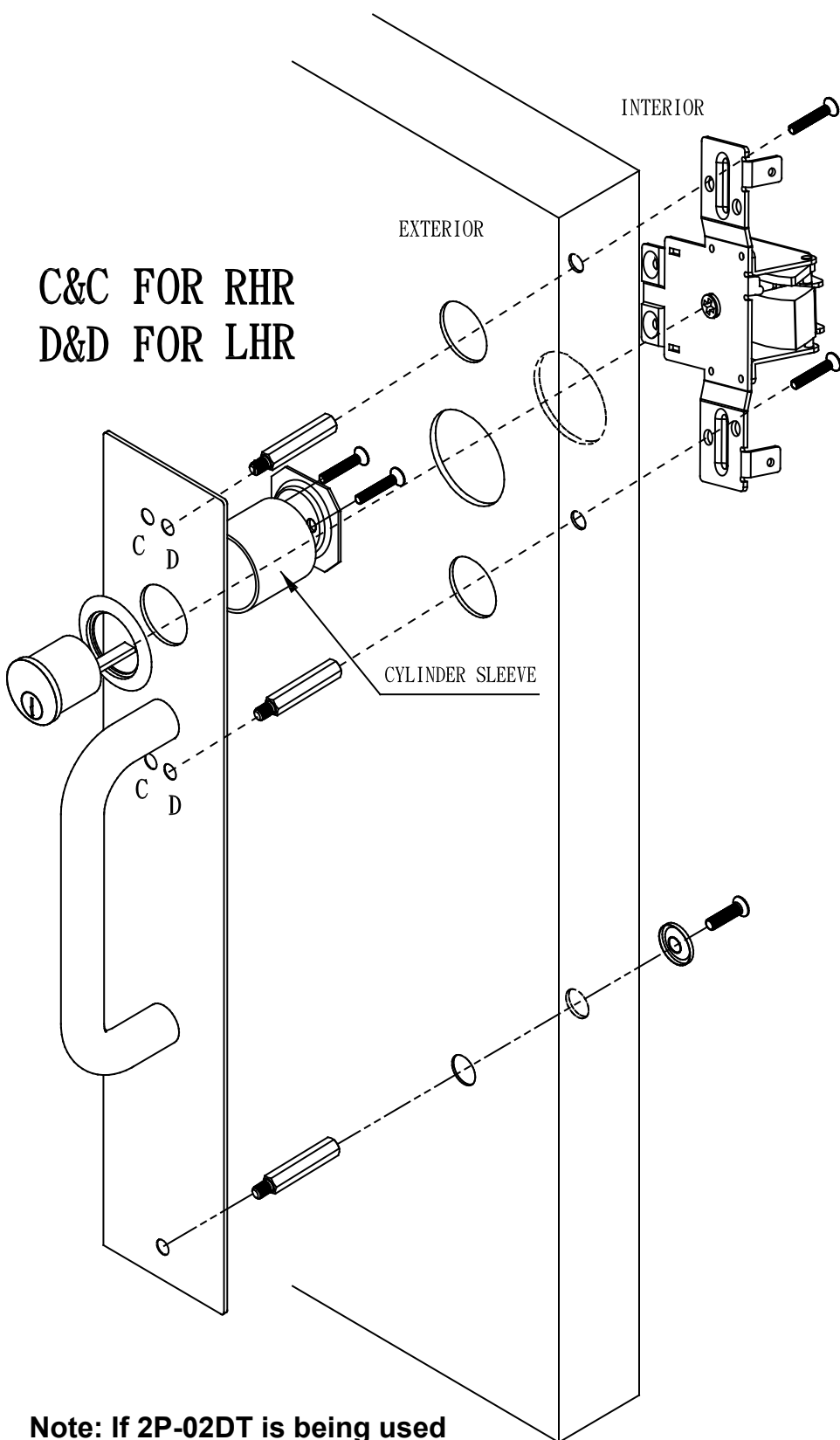
2000 SERIES PULL TRIM INSTALLATION INSTRUCTIONS

(For doors with 2 1/8" hole/16l prep requiring cylinder sleeve)

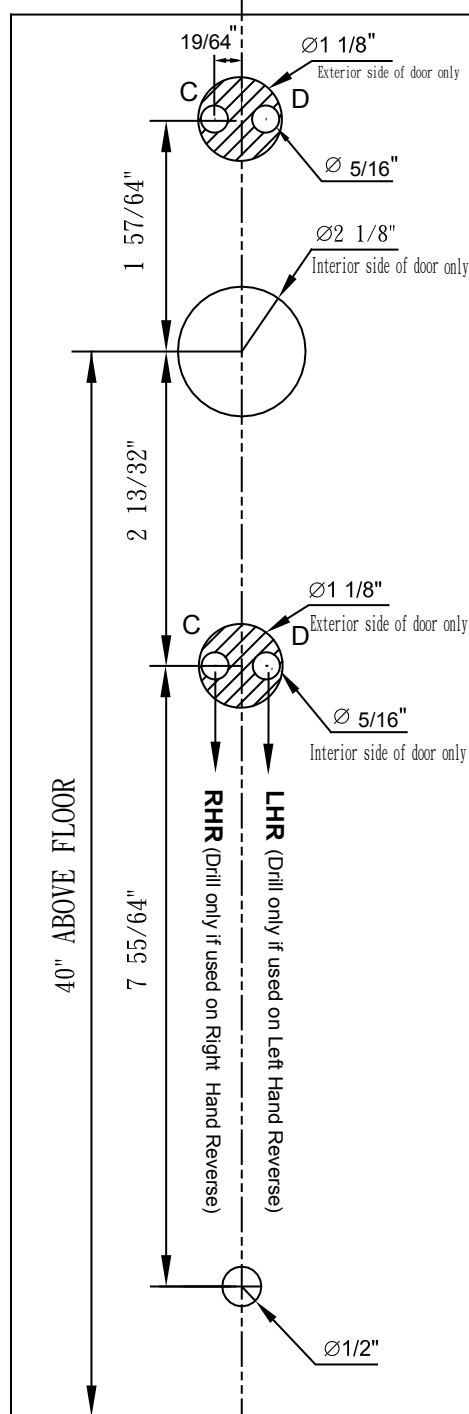
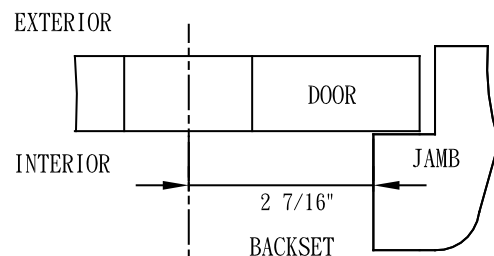
2P-03NL-PULL WITH CYLINDER HOLE

2P-02DT-PULL WITHOUT CYLINDER HOLE

IMPORTANT: Only drill 1 1/8" holes on the exterior side of the door and 5/16" holes on the interior side of the door.



C&C FOR RHR
D&D FOR LHR



Note: If 2P-02DT is being used then 2 1/8" hole, Rim cylinder and cylinder sleeve are not used.