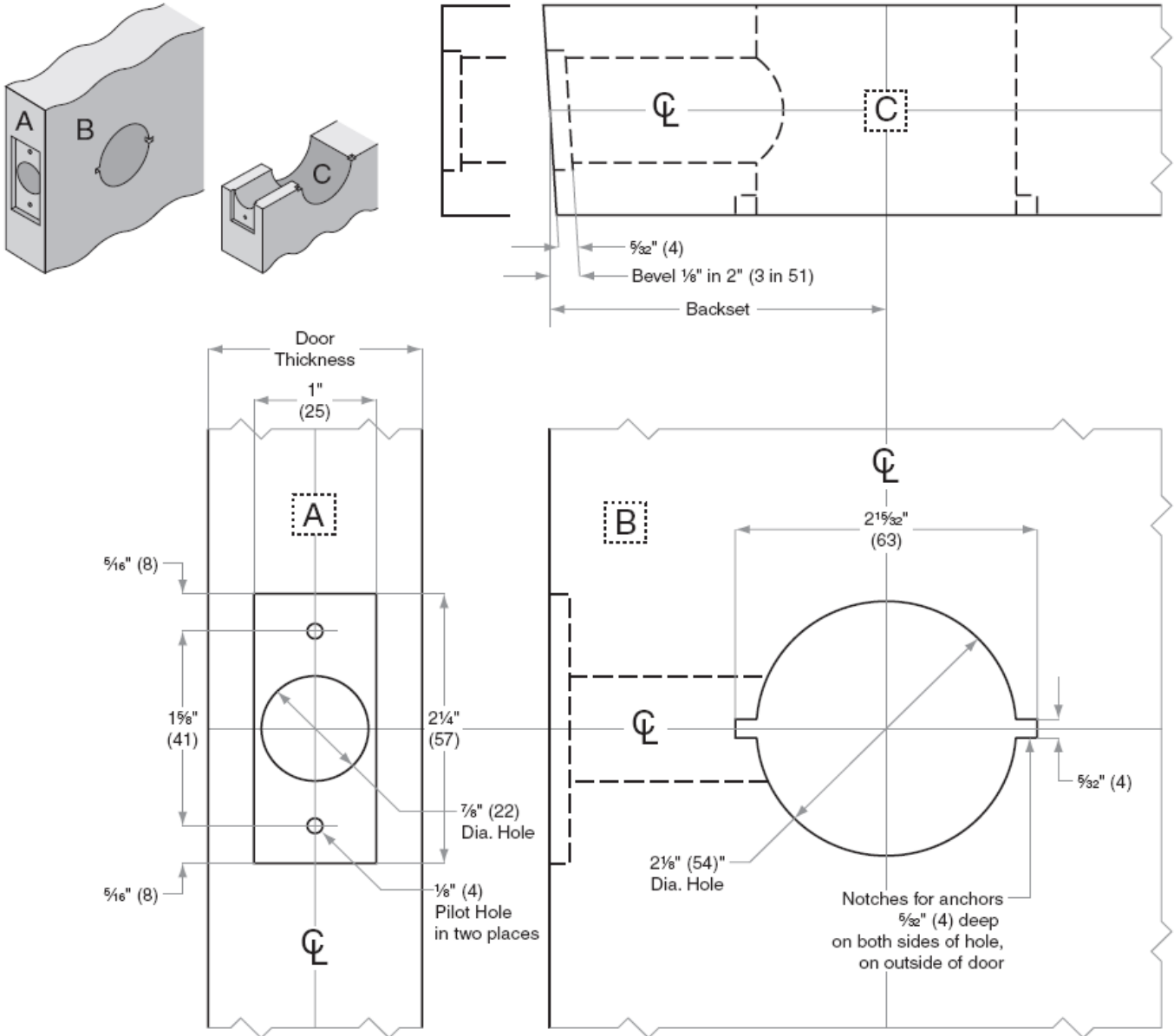


Design Hardware



<p>Template No. KS-050509</p>	<p align="center">Design Hardware</p> <p align="center">K2 Series Cylindrical Lockset</p>	<p>Functions 75, 76, 82, 84, 86 w/ Opt. 2 3/8" Latch</p>
---	---	---