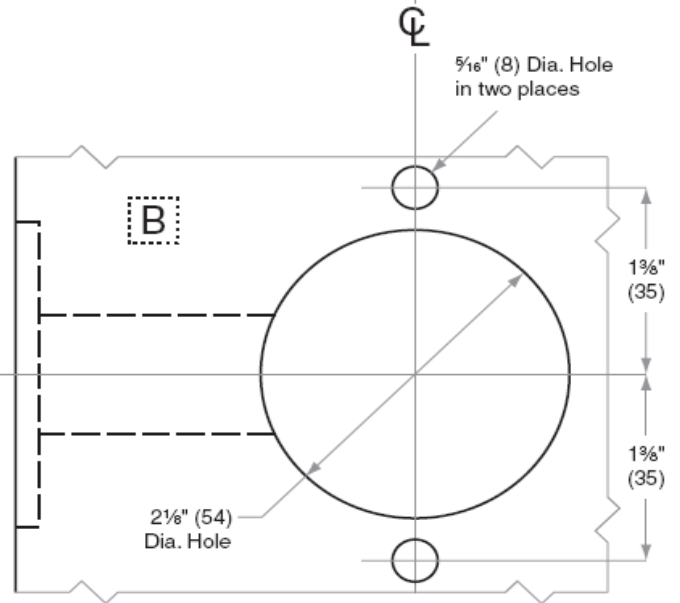
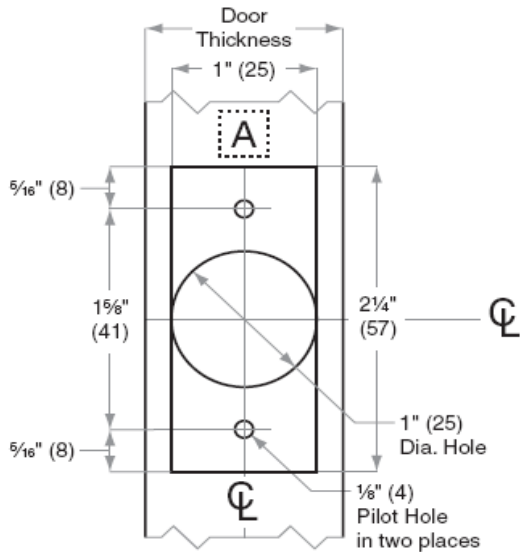
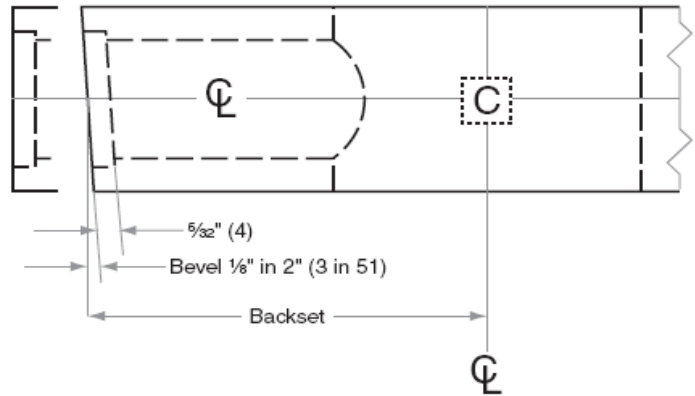
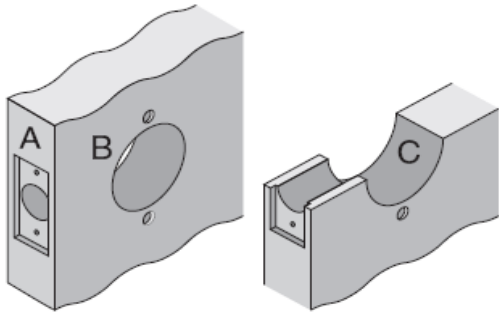


D Design Hardware



<p>Template No. Z-050509</p>	<p>Design Hardware Z Series Cylindrical Lockset</p>	<p>Functions 75, 76, 82, 84, 86 w/ Opt. 2 3/8" Latch</p>
--	---	---