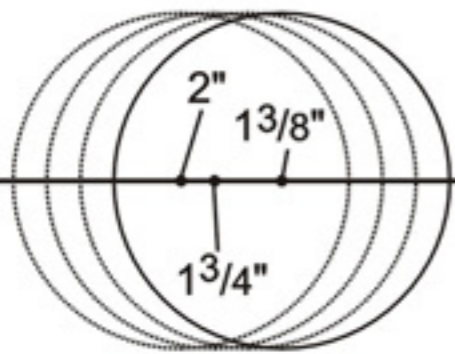


# TEMPLATE



Mark center of door thickness for 1" dia. hole



Make 2 1/8" hole

