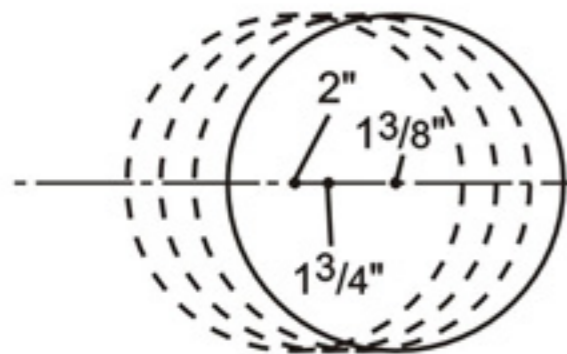




TEMPLATE



Mark center of door thickness for 1" dia. hole



Mark center for 2 1/8" hole



Mark center for 3/8" hole



Mark center for 3/8" hole

